

NMR 60/45-150



WEIGHT RATINGS

| | |
|-----------------|------------------|
| GVM | 6,000 / 4,500 kg |
| GCM (WITH MT) | 9,500 / 8,500 kg |
| GCM (WITH AMT) | 8,000 kg |
| TOWING CAPACITY | 4,000 kg* |

ENGINE

| | |
|--------|----------------------------|
| POWER | 110 kW @ 2,800 rpm |
| TORQUE | 375 Nm @ 1,600 - 2,800 rpm |

TRANSMISSION

| |
|---|
| 6 speed manual transmission (MT) |
| 6 speed automated manual transmission (AMT) |

* Refer to back page for detailed weight rating information

| ISUZU CARE | |
|-----------------|------------------------------|
| WARRANTY | 6 Year Standard Warranty |
| | 250,000 km / Unlimited Hours |
| ROADSIDE ASSIST | 6 Year Roadside Support |
| | 24/7 Unlimited km |

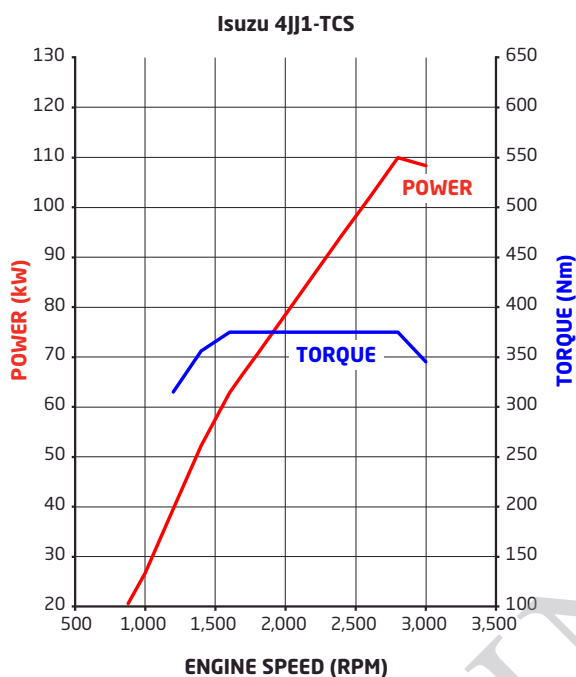
Subject to the conditions outlined in the IAL New Vehicle Warranty. For further information please visit isuzu.com.au or contact your local dealer.

| SERVICE AGREEMENTS | | | |
|----------------------------------|---|-----------------|-------|
| Optional Service Packages | ESSENTIALS | ESSENTIALS PLUS | TOTAL |
| SCHEDULED SERVICINGS | ● | ● | ● |
| CONSUMABLES | | ● | ● |
| ENGINE, TRANSMISSION & DRIVELINE | | | ● |
| EXTRAS | After-hours Servicing, Glass, Fuel Card, Pickup - Dropoff | | |

| INTELLIGENT SAFETY | | |
|--|---|-------|
| ACTIVE SAFETY ADVANCED DRIVER ASSISTANCE SYSTEMS (ADAS) | Advanced Emergency Braking | (AEB) |
| | Forward Collision Warning | (FCW) |
| | Distance Warning System | (DWS) |
| | Lane Departure Warning | (LDW) |
| | Traffic Movement Warning | (TMW) |
| | Electronic Stability Control | (ESC) |
| | Anti-Skid Regulator | (ASR) |
| | Anti-Lock Braking System | (ABS) |
| | Hill Start Aid (MT model only) | (HSA) |
| | Automatic Lighting System (Front & Rear) | (ALS) |
| PASSIVE SAFETY CABIN OCCUPANT SAFETY SYSTEMS (COSS) | Cab Tilt Warning (Single cab only) | (CTW) |
| | Driver and front passenger airbags | |
| | Driver and front left hand passenger seatbelt pretensioners | |
| | ECE-R29 cab with side anti-intrusion beams | |
| | Overhead shelf restraint netting | |
| Door mounted cornering lamps | | |



| ENGINE | |
|--------------------------|---|
| DESCRIPTION | Isuzu 4JJ1-TCS |
| TYPE | 4 cylinder 16 valve with chain driven DOHC |
| DISPLACEMENT | 2,999 cc |
| COMPRESSION RATIO | 17.5:1 |
| BORE X STROKE | 95.4 mm x 104.9 mm |
| POWER | 110 kW (150 PS) @ 2,800 rpm (DIN NET) |
| TORQUE | 375 Nm @ 1,600 - 2,800 rpm (DIN NET) |
| INDUCTION | Electronically controlled variable nozzle turbocharger with air-to-air intercooler |
| FUEL INJECTION | Direct injection high pressure common rail |
| EMISSION CONTROL | Cooled EGR with exhaust Diesel Particulate Diffuser (DPD). ADR 80/03 (Euro V / EEV) compliant |



| CLUTCH | |
|------------|--|
| MT | Type: Single plate with auto adjusting hydraulic control and vacuum assistance Clutch Plate Diameter: 300 mm Clutch lining area: 847cm ² |
| AMT | Type: Fully automated electro/hydraulically controlled wet clutch and torque converter (TC) with lock up |

| TRANSMISSION | | | | | | | | | | | | | | | |
|--------------|---|------|-------|-----|------|-------|-----|-----|-------|-------|------|-------|---|------|-------|
| MT | Description: Isuzu MYY-6E Type: 6 speed manual. Synchromesh on gears 1-6. Ratios: <table border="1"> <thead> <tr> <th>1ST</th> <th>2ND</th> <th>3RD</th> <th>4TH</th> <th>5TH</th> <th>6TH</th> <th>REV</th> </tr> </thead> <tbody> <tr> <td>5.979</td> <td>3.434</td> <td>2.04</td> <td>1.379</td> <td>1</td> <td>0.75</td> <td>5.701</td> </tr> </tbody> </table> Power Take Off facility: Provision on LHS of transmission case. Drive from counter gear. | 1ST | 2ND | 3RD | 4TH | 5TH | 6TH | REV | 5.979 | 3.434 | 2.04 | 1.379 | 1 | 0.75 | 5.701 |
| 1ST | 2ND | 3RD | 4TH | 5TH | 6TH | REV | | | | | | | | | |
| 5.979 | 3.434 | 2.04 | 1.379 | 1 | 0.75 | 5.701 | | | | | | | | | |
| AMT | Description: Isuzu MYY-6E Type: 6 speed with both fully automatic and clutchless manual operation modes Ratios: <table border="1"> <thead> <tr> <th>1ST</th> <th>2ND</th> <th>3RD</th> <th>4TH</th> <th>5TH</th> <th>6TH</th> <th>REV</th> </tr> </thead> <tbody> <tr> <td>5.979</td> <td>3.434</td> <td>2.04</td> <td>1.379</td> <td>1</td> <td>0.75</td> <td>5.701</td> </tr> </tbody> </table> Power Take Off facility: Provision on LHS of transmission case. Drive from counter gear. | 1ST | 2ND | 3RD | 4TH | 5TH | 6TH | REV | 5.979 | 3.434 | 2.04 | 1.379 | 1 | 0.75 | 5.701 |
| 1ST | 2ND | 3RD | 4TH | 5TH | 6TH | REV | | | | | | | | | |
| 5.979 | 3.434 | 2.04 | 1.379 | 1 | 0.75 | 5.701 | | | | | | | | | |

| AXLES | |
|--------------|---|
| FRONT | Description: Isuzu F1026 Type: Independent wishbone Capacity: 2600 kg |
| REAR | Description: Isuzu R050 Type: Full floating banjo with four differential pinions Capacity: 5,000 kg Ratio: 4.777 (MT), 4.300 (AMT) |

| SUSPENSION | |
|--------------|--|
| FRONT | Coil springs Double acting hydraulic shock absorbers |
| REAR | Taper leaf main, taper leaf helper spring Double acting hydraulic shock absorbers |

| BRAKES | |
|------------------------|---|
| TYPE | Ventilated disc/disc with dual circuit hydraulic control, vacuum assistance and electronic brake force distribution (EBD) |
| DIAMETER FRONT | 293 mm |
| DIAMETER REAR | 293 mm |
| PARK BRAKE | 190 mm diameter drum mounted on rear of transmission |
| AUXILIARY BRAKE | Vacuum controlled exhaust brake |

| STEERING | |
|---------------------------|---|
| TYPE | Power assisted rack and pinion |
| TURNS LOCK TO LOCK | 4.2 |
| WHEEL LOCK ANGLE | 38.00° (inside wheel) 35.75° (outside wheel) |

| WHEELS & TYRES | |
|----------------|---|
| FRONT | Wheels: 16 x 5.5J five stud steel Tyres: 205 / 85R16 117 / 115L Michelin XJE4 Mix Energy Tubeless Steer axle tyre rating: 2,570 kg |
| REAR | Wheels: 16 x 5.5J five stud steel Tyres: 205 / 85R16 117 / 115L Michelin XJE4 Mix Energy Tubeless Drive axle tyre rating: 4,860 kg |
| SPARE | 1 frame mounted spare wheel and tyre assembly |

| CHASSIS FRAME | |
|-------------------|--|
| TYPE | Cold rivetted ladder frame. SAPH440 steel sidemembers. |
| DIMENSIONS | Side rail (mm): 180 x 65 x 4.0 Rear frame width (mm): 700 |

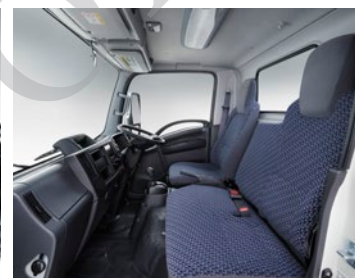
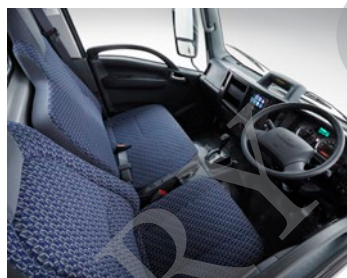
| FUEL TANK | |
|-----------------|-------------------------------|
| TYPE | Frame mounted steel fuel tank |
| CAPACITY | 75L (SWB), 100L (MWB) |
| FUEL CAP | Lockable |

| ELECTRICAL SYSTEM | |
|----------------------|--|
| TYPE | 24 volt |
| ALTERNATOR | 90 amp |
| STARTER MOTOR | 4.0 kW |
| BATTERY | 2 x 80D26L (630 CCA) batteries connected in series |

| CABIN GENERAL FEATURES | |
|--------------------------|--|
| ENGINE ACCESS | Manual cab tilt to 45° with torsion bar assistance |
| STEPS | Heavy duty anti-slip steps |
| DOORS | 90° opening internally reinforced front doors |
| MIRRORS | Heated and powered exterior main mirrors with flat glass and additional independantly adjustable convex "spot" mirrors |
| WIPERS | Two speed windscreen wipers with intermittent wipe mode |
| EXTERIOR LIGHTING | Multi-reflector halogen headlamps |
| AUDIBLE WARNING | Reverse alarm |
| GRILLE | Body coloured |
| SECURITY | Central locking with remote keyless entry and immobiliser |

| INSTRUMENTATION | |
|----------------------------------|---|
| MULTI INFORMATION DISPLAY | AEB, FCW, DWS, LDW, TMW systems activation alerts |
| | CTW indicator |
| | Vehicle systems status |
| | Low fuel level alert |
| | Fuel consumption information |
| | Service interval alerts |
| GENERAL INSTRUMENTATION | Hourmeter |
| | Adjustable vehicle speed warning |
| | Speedometer and tachometer |
| | Digital odometer with integrated dual tripmeters |
| | Engine coolant temperature and fuel level guages |

| CABIN INTERIOR | |
|---------------------------|---|
| SEATING | Driver's bucket seat equipped with mechanical suspension and weight adjustment to 130kg |
| | Passenger bench seat with 2 seat capacity |
| SEATBELTS | 3-point lap sash seatbelts in all outboard seating positions. Centre seat lap belts. |
| STEERING COLUMN | Tilt/telescopic adjustable |
| ENTRY ASSIST GRIPS | Door and roof pillar mounted |
| DOOR WINDOWS | Electric control |
| STORAGE | Overhead shelf |
| | Twin cup holders |
| | Front door pockets |
| POWER OUTLET | 24V cigarette lighter |
| AIRCONDITIONING | Manual control |
| INTERIOR LIGHTING | Flourescent lamp |



| AUDIO VISUAL UNIT | |
|----------------------------------|--|
| SCREEN TYPE | 6.2" LCD with capacitive touch |
| OPERATING SYSTEM | Android |
| RADIO | AM/FM/DAB+. Internet radio via smartphone. |
| INTERNAL STORAGE CAPACITY | 32GB |
| OTHER CAPABILITY | Provision for external camera inputs, navigation, reverse sensors and tyre pressure monitoring |



AM/FM/DAB+ radio

| DRIVER CONTROLS | |
|--------------------------------|---|
| SAFETY SYSTEMS | AEB on/off, FCW on/off/sensitivity adjust, LDW on/off/sensitivity adjust, TMW on/off, ESC&ASR on/off, headlamps and ALS on/off, HSA on/off/sensitivity adjust (MT only) |
| ENGINE | Idle speed control |
| | Cruise control DPD manual regeneration switch |
| TRANSMISSION (AMT ONLY) | Slow/fast gear engagement control, 1st gear start and normal/economy gear selection modes |
| | Gear selection control with P-R-N-D and sequential shift positions |
| GENERAL CONTROLS | Windscreen wipers (2 speed and intermittent modes), washers, exhaust brake, turn signals |



AMT model shown

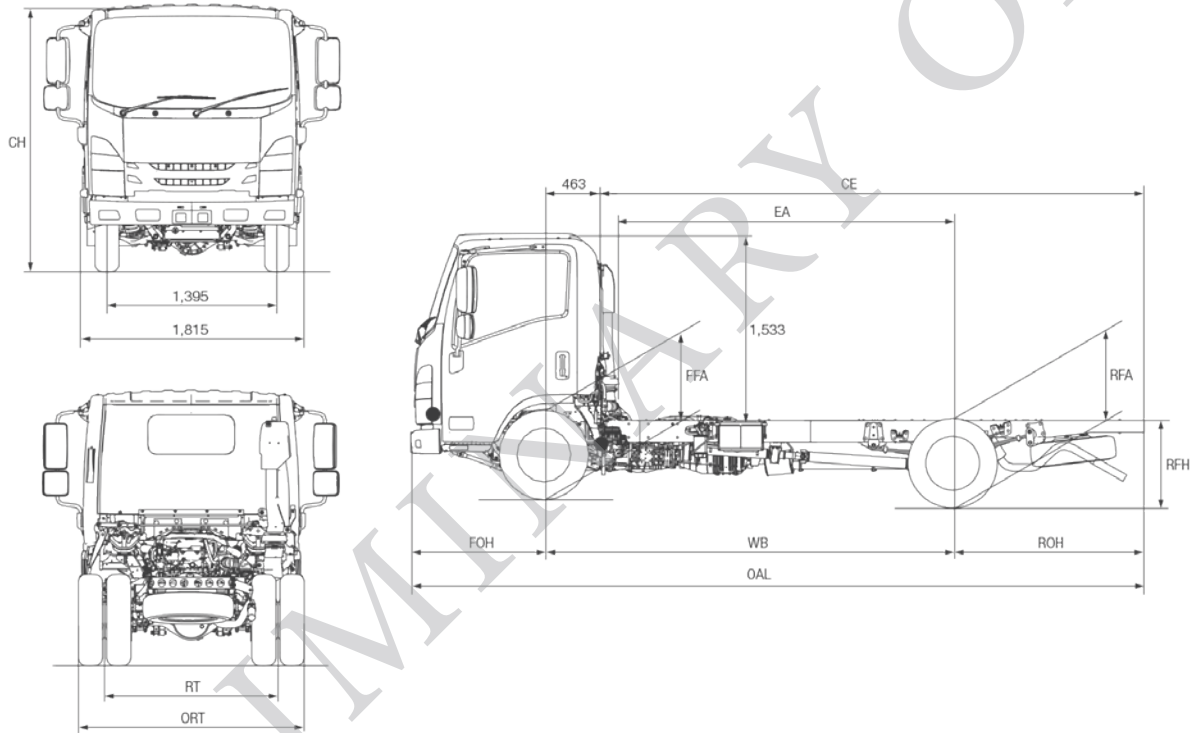
| WEIGHTS (kg) | | | | | | | |
|------------------------------|-------------|---------------|----------------------------|-------|----------------------|------|-------|
| MODELS | RATINGS* | | LOADING LIMIT* (at ground) | | CAB CHASSIS WEIGHT # | | |
| | GVM | GCM | FRONT | REAR | FRONT | REAR | TOTAL |
| NMR 60/45-150 SWB | 6,000/4,500 | 9,500/8,500** | 2,570 | 4,860 | 1,495 | 650 | 2,145 |
| NMR 60/45-150 AMT SWB | 6,000/4,500 | 8,000** | 2,570 | 4,860 | 1,515 | 675 | 2,190 |
| NMR 60/45-150 AMT MWB | 6,000/4,500 | 8,000** | 2,570 | 4,860 | 1,495 | 715 | 2,210 |

* Vehicle ratings and axle weight limits are subject to government regulatory requirements and weight distribution analysis. Consult your Isuzu dealer to select the correct vehicle for your specific application.

**4,000kg maximum towing limit applies to 4,500kg GVM rated vehicle. Tag trailer weight should not exceed towing vehicle weight. Limit is subject to government regulatory requirements.

Cab chassis only as supplied and including 10 litres of fuel.

| DIMENSIONS (mm) | | | | | | | | | | | | | (m) |
|--------------------------|-------|-------|-------|-------|-------|-------|-------|-------|-------|---------------|---------------|---------------|-----------------------------|
| MODELS | WB | OAL | FOH | ROH | EA | CE | RT | ORT | CH | FFA (unladen) | RFA (unladen) | RFH (unladen) | TURNING CIRCLE kerb to kerb |
| NMR 60/45-150 SWB | 2,490 | 4,735 | 1,100 | 1,145 | 1,805 | 3,172 | 1,425 | 1,860 | 2,170 | 645 | 725 | 760 | 8.5 |
| NMR 60/45-150 MWB | 3,350 | 6,025 | 1,100 | 1,575 | 2,665 | 4,462 | 1,425 | 1,860 | 2,170 | 635 | 715 | 755 | 11.5 |



| PERFORMANCE (calculated - typical paved road) | | | | |
|---|-----------------|---|---|-------------------------------------|
| MODELS | GVM | GEARED SPEED* (top gear at peak power engine rpm) | LOW SPEED GRADEABILITY (lowest forward gear assuming no wheel slip) | ENGINE SPEED (top gear at 100 km/h) |
| NMR 45-150 | At 4,500 kg GVM | 108 km/h @ 2,800 rpm | 60% | 2,595 rpm |
| NMR 60-150 | At 6,000 kg GVM | 108 km/h @ 2,800 rpm | 44% | 2,595 rpm |
| NMR 45-150 AMT | At 4,500 kg GVM | 120 km/h @ 2,800 rpm | 53% | 2,340 rpm |
| NMR 60-150 AMT | At 6,000 kg GVM | 120 km/h @ 2,800 rpm | 40% | 2,340 rpm |

* Maximum speed achievable depends on vehicle frontal area as well as other factors. Consult your Isuzu dealer for more detailed information.

| ORDER CODES | |
|------------------------------|--------------|
| MODELS | CODES |
| NMR 60/45-150 SWB | NH-NMRAA-F21 |
| NMR 60/45-150 AMT SWB | NH-NMRAA-X21 |
| NMR 60/45-150 AMT MWB | NH-NMRAA-Z21 |

Subject to the conditions outlined in the IAL New Vehicle Warranty, 4x2 Isuzu N series models carry a standard factory warranty which covers the owner for the first 72 months or 250,000 kilometres (whichever comes first). All Isuzu warranties are subject to mandatory prescribed terms under Australian Consumer Law including consumer guarantees. For more details visit the Isuzu website at www.isuzu.com.au which explains Isuzu warranties in more detail, or alternatively contact your local Isuzu Truck dealer. All warranties commence from date of initial delivery.

ISUZU AUSTRALIA LIMITED ABN 97 006 962 572 ("IAL"). The information in this spec sheet was correct at time of printing, but all measurements, specifications and equipment are subject to change without notice. Some equipment may have been changed and/or is available at extra cost. IAL may make changes at any time without notice, in prices, colours, materials, equipment and models. IAL makes all reasonable attempts to ensure the availability of all vehicles and equipment. The information in this spec sheet is general in nature. Your Isuzu dealer can confirm all measurements, specifications and vehicle / equipment availability upon request. To the extent permitted by the law, IAL is not liable to any person as result of reliance on the content of this spec sheet.